



## Ozone Generator Multizon

**In aquaculture systems that operate with a very low water exchange, the use of ozone is required.**

The fully automatic ozone generators of the Multizon series in cabinet design are built according to DIN 19627. The devices are air-cooled and designed for vacuum operation as standard. Production for use in overpressure operation is possible.

Depending on the size, the Multizon series can produce ozone quantities between 5 – 500 g/h

ozone at a concentration of approx. 20 g/m<sup>3</sup>.

The perfect solution for mixing the ozone with the water is to use ozone generators from the Multizon series in combination with protein skimmers from the Helgoland or Fresh-Skim Injector series.

We also offer a series, especially for laboratories or research facilities.

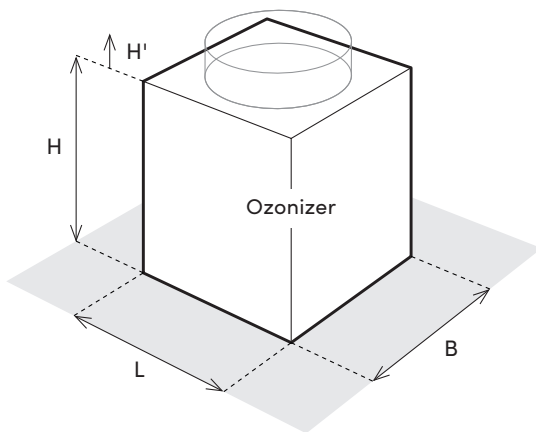
Special dimensions, special designs and tailor-made solutions are possible. Feel free to contact us.

Model	Nominal capacity g/h	Air flow m <sup>3</sup> /h	Nominal power demand kW	Weight kg
310.5	5	0.25	0.55	50
310.10	10	0.5	0.6	50
310.12	12	0.6	1.0	160
310.16	16	0.8	1.1	180
310.20	20	1.0	1.2	200
310.30	30	1.5	1.35	220
310.40	40	2.0	1.7	230
310.50	50	2.5	2.3	250
310.60	60	3.0	2.6	260
310.80	80	4.0	2.8	270
310.100	100	5.0	4.3	280
310.120	120	6.0	4.6	290
310.150	150	7.5	5.6	320
310.180	180	9.0	6.4	350
310.200	200	10.0	6.8	420
310.250	250	12.5	9.5	650
310.300	300	15.0	11.0	750
310.350	350	17.5	13.0	850
310.400	400	20.0	16.0	900
310.450	450	22.5	17.5	950
310.500	500	25.0	19.0	1050

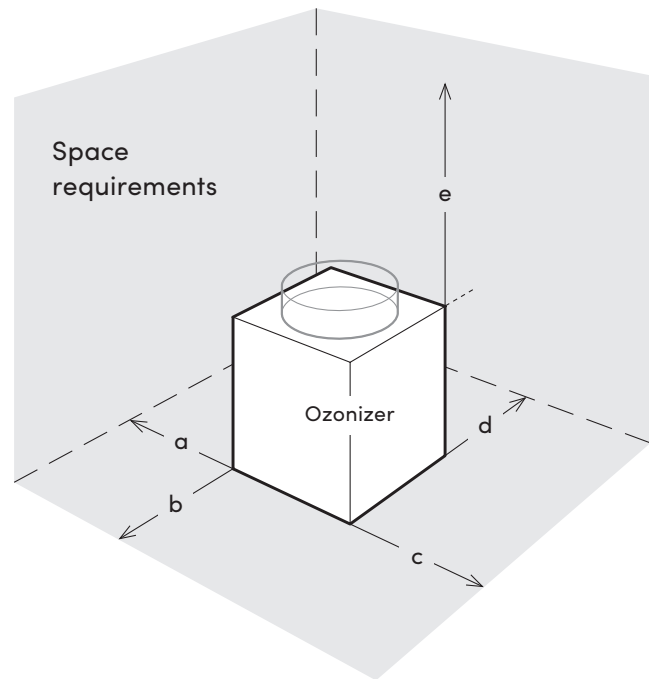
# Ozone Generator Multizon

## Dimensions and Space Requirements

Dimensions



Space requirements



Model	Dimensions (mm)*				Space requirements (mm)**				
	L	B	H	H'	a	b	c	d	e
Series									
<b>310.5 – 10</b>	800	250	600	–	200	800	500	–	300
<b>310.12 – 30</b>	800	400	1020	–	1000	800	400	200	500
<b>310.40 – 120</b>	1200	600	1200	–	1200	800	400	200	500
<b>310.150 – 200</b>	1200	600	1500	–	1200	800	600	200	500
<b>310.250 – 500</b>	1260	1230	1850	280	1200	800	600	400	min. 1280

\* Subject to change.

\*\* Dimensions are to be understood as minimum.

The air exchange requirement in the installation room of about 5–10 m<sup>3</sup>/h per gram of ozone produced should be ensured.

The temperature in the installation room must not exceed 30°C.